

Solutions for energy efficiency

Acquire energy and process
data easily with the complete
data logger packages

Log energy and process data easily with data logger kits



BASIC data logger kit

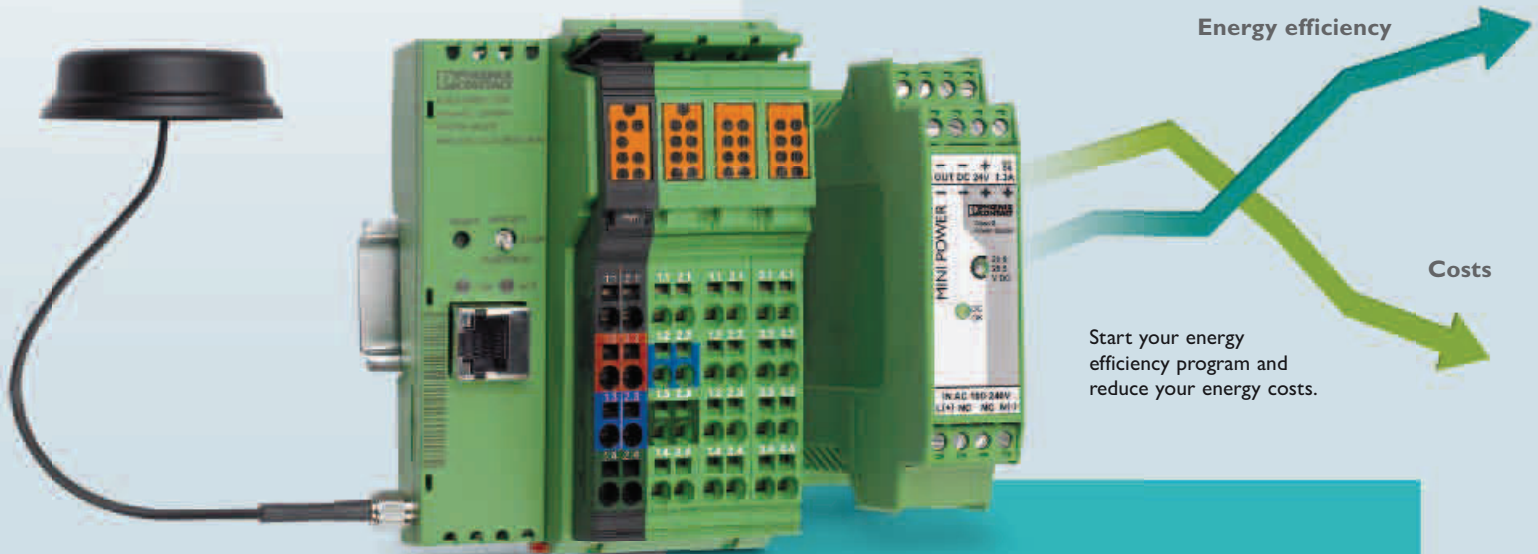
PSK DL BASIC Order No. 2700726

The PSK DL BASIC basic version features:

- Parameterization and startup via web browser
- 16 digital inputs and 4 digital outputs onboard
- Sending of status messages via e-mail, SMS, and Ethernet
- Acquisition of machine data, production data, and consumption data
- Fields of application, e.g., measuring compressed air consumption or water mass flow, plus temperature recording

Provide the basis for energy-efficient system operation: use the complete data logger packages to easily monitor and log the energy and process states of your machines and systems. You will be informed of any change in state via SMS or e-mail.

In addition to the basic functions, the FLEX solution kit, which supports modular expansion, communicates directly via SQL and sends e-mails via GPRS or DSL. No programming knowledge is required to configure the data loggers, a web browser is all you need.



GPRS

Ethernet

Why is energy data acquisition so important?

Continuously recorded energy flow provides the basis for a target-oriented operational energy management system. The analysis of measured energy values is essential for:

- Identifying potential cost savings
- Avoiding peak loads
- Optimizing system capacity



FLEX data logger kit

PSK DL FLEX Order No. 2700727

In addition to all the properties of the basic version, the PSK DL FLEX extendable version also offers the following:

- A parameterizable communication interface for MS SQL and My SQL database connection
- Expansion to include 32 digital inputs; 24 analog inputs

A maximum of **three Inline Modular digital input terminals** and **four Inline Modular analog input terminals** from the tables below can be additionally connected to the FLEX data logger kit.

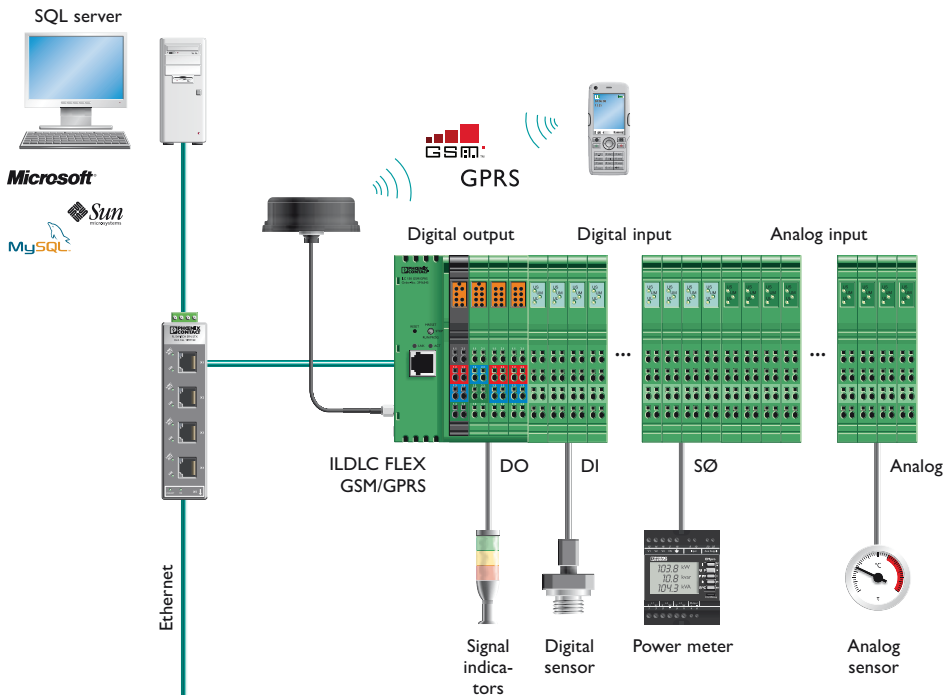
Inline Modular digital input terminals

Order No.	Type	Description
2861221	IB IL DI2-PAC	2 digital inputs, 24 V DC, 4-wire connection technology
2861234	IB IL DI4-PAC	4 digital inputs, 24 V DC, 4-wire connection technology
2861247	IB IL DI8-PAC	8 digital inputs, 24 V DC, 4-wire connection technology
2861250	IB IL DI16-PAC	16 digital inputs, 24 V DC, 4-wire connection technology
2897020	IB IL DI8/S0-PAC	8 digital inputs, 24 V DC, SØ counter

Inline Modular analog input terminals

Order No.	Type	Description
2861302	IB IL AI2 /SF-PAC	2 analog inputs, 0 - 20 mA, ± 20 mA, 0 - 10 V, ± 10 V, 2-wire connection technology
2861412	IB IL AI8/SF-PAC	8 analog inputs, 0 - 20 mA, ± 20 mA, 0 - 10 V, ± 10 V, 2-wire connection technology
2861661	IB IL AI8/IS-PAC	8 analog inputs, 0 - 20 mA, 4 - 20 mA, 0 - 40 mA, ± 20 mA, ± 40 mA, 2-wire connection technology

Various connection options of the FLEX data logger kit



The FLEX data logger kit offers various connection options. Up to three digital terminals with a varying number of channels can be connected as an alarm or as counter inputs. In addition, up to four analog input terminals with a varying number of channels from the Inline automation kit can be connected to the data logger in order to connect analog sensors. The digital outputs of the data logger are activated via SMS.

Further information on the products presented here and on the world of solutions from Phoenix Contact can be found at www.phoenixcontact.net/catalog



Or contact us directly.



Modular Terminal Blocks
CLIPLINE 1



Marking Systems, Tools, and Mounting Material
CLIPLINE 2



Connection Technology for Field Devices and Field Cabling
PLUSCON



Device Connection Technology and Electronic Housings
COMBICON



Power and Signal Quality
TRABTECH



Signal Converters, Switching Devices, Power Supply Units
INTERFACE



Automation Components and Systems
AUTOMATION

PHOENIX CONTACT GmbH & Co. KG
32823 Blomberg, Germany
Phone: +49 (0) 52 35 3-00
Fax: +49 (0) 52 35 3-4 12 00
www.phoenixcontact.com